

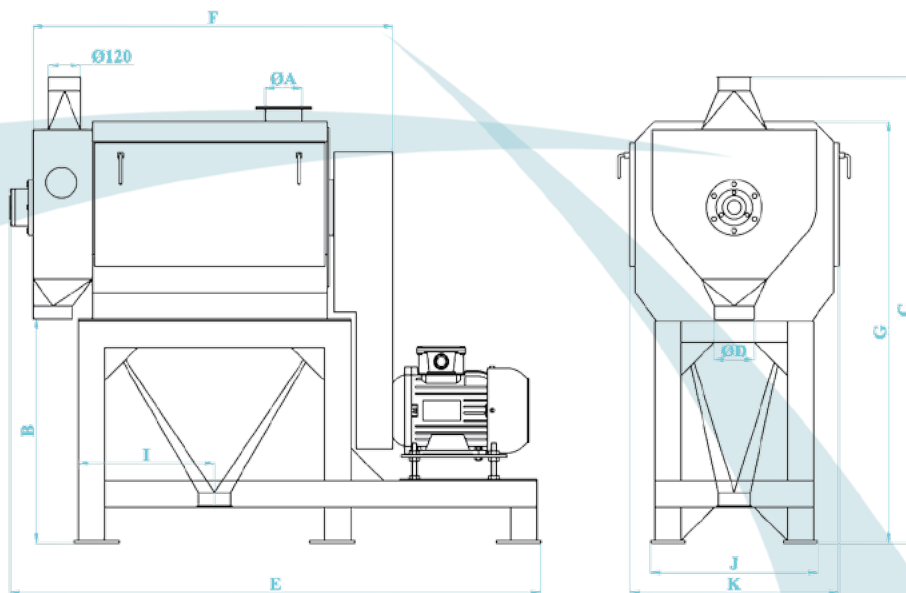


BROSSE A BLE  
INTENSIVE  
SCOURER

# Brosse a Ble / Intensive Scourer

## Dimensions & Données Techniques

### Dimensions & Technical Data



#### Dimensions / Dimensions (mm)

TYPE TYPE	Ø A	B	C	Ø D	E	F	G	I	J	K
GD-BF-30/60-A	114	785	1625	114	1730	1160	1450	415	480	590
GD-BF-30/60-B	140	785	1625	114	1730	1160	1450	415	480	590
GD-BF-40/80-A	140	850	1765	150	2010	1365	1600	515	630	790
GD-BF-40/80-B	200	850	1765	200	2010	1365	1600	515	630	790
GD-BF-40/80-C	200	850	1765	200	2010	1365	1600	515	630	790

#### Données Techniques / Technical Data

TYPE TYPE	Capacité / Capacity (t/h)			Moteur Motor (kw)	Air Requis Air Required (m³)	Poids Weight (kg)	
	Blé Tendre / Soft Wheat		Blé Dur Hard Wheat			Net Net	Brut Gross
	1er Nettoyage 1st Cleaning	2ème Nettoyage 2nd Cleaning	1er-2ème Nettoyage 1st-2nd Cleaning				
GD-BF-30/60-A	8	7,5	7,5	7.5	8	860	
GD-BF-30/60-B	9	8,5	8,5	11	10	920	
GD-BF-40/80-A	16	15	15	15	12	1200	
GD-BF-40/80-B	20	18	18	18,5	15	1220	
GD-BF-40/80-C	22	20	20	22	15	1250	