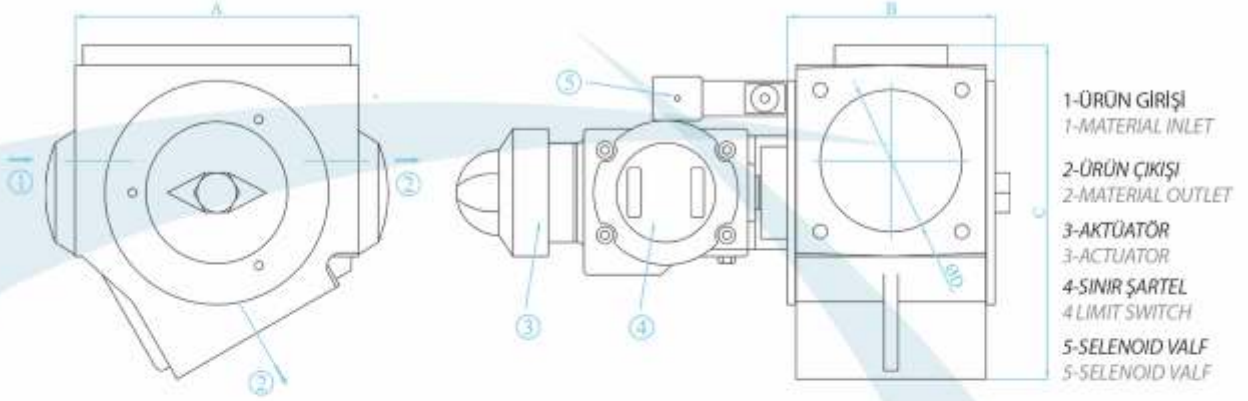




YÖN KLAPESİ
ROTARY DIVERTER VALVE

Yön Klapesi / Rotary Diverter Valve

Teknik Bilgiler ve Montaj Ölçüleri Dimensions & Technical Data



Teknik Bilgiler / Technical Data

MODEL TYPE	ÖLÇÜLER / DIMENSIONS (mm)				Aktüatör Actuator	Valf Solenoid Valve	Sınır Şalter Limit Switch
	A	B	C	ø D			
GD - PK L - 65	160	113	170	65	T-RPA DA/SR 60	T-NM32WAS, 1/4 - 5/2	T-LSG - 2M
GD - PK L - 100	200	147	235	100	T-RPA DA/SR 80	T-NM32WAS, 1/4 - 5/2	T-LSG - 2M
GD - PK L - 120	230	168	285	120	T-RPA DA/SR 100	T-NM32WAS, 1/4 - 5/2	T-LSG - 2M
GD - PK L - 160	320	227	385	160	T-RPA DA/SR 120	T-NM32WAS, 1/4 - 5/2	T-LSG - 2M

ROTARY DIVERTER VALVE

Applications

The PK plug diverter is designed for branching off materials in pneumatic conveying lines.

- For pressure conveyors up to +1.5 bar and suction conveyors up to -0.5 bar.

- For conveying pipe inside diameters of 65, 100, 120 and 160 mm.

Plug seal: purely metallic towards the conveying line that is shut off; mechanical teflon seals towards the outside.

The seal towards the outside remains active even when the plug switches over.

Actuator housing: cast aluminum.

Actuation: An electropneumatically operated, maintenance-free, double-action pneumatic cylinder actuates the plug via a toothed rack and a gearwheel.

Solenoid valve: 5/2-way pulse valve.

Limit switch: Inductive proximity switches. With hand guard.

Working principle

The plug, with its pivoting axis perpendicular to the conveying pipes, closes one pipe connection.

When the plug is pivoted by 120°, this connecting line is opened and the other one is closed. The switching overlap is negative.

The two limit switches serve for interrupting the switching pulse to the solenoid valve, and they recognize the operating position or the end position of the plug as well as the conveying path selected.

Options

- 30° adapter with flat seal for diverting by 90° instead of by 60°.

- Weld-on pipe sections for welding onto conveying pipes with outside dimensions other than standard.